

Perforated 5x5



Plain surface

05/

Murano Panel

The Murano Panel is ideal for use in **corridors and transit areas**. This model can be produced in a 300 mm width and a variable length up to 2.5 metres long or in a 600x600mm size with a concealed profile system.

Both models can be **perforated** to improve **acoustic performance** with the addition of a thermal adhesive acoustic fleece or additionally with mineral wool.

This ceiling is characterized by its **easy adaptability** facilitating access for maintenance to electrical wiring or heating/air conditioning installations.



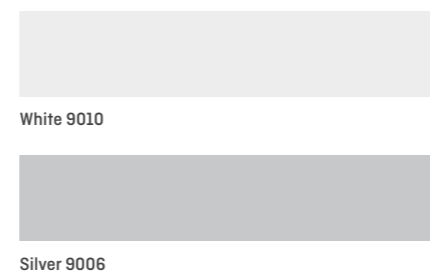
Murano Panel

FORMATS

MODEL	PANEL		BOX
	mm	m ²	units
Plain	600 x 600	4,8	8
	300 x L.V	-	8
Perforated	600 x 600	4,8	8
	300 x L.V	-	8

Panel Murano 600 x 600 mm: Finish bezel 45°
Panel Murano 300 mm x L.V.: Finish right angle

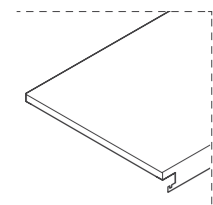
COLOURS



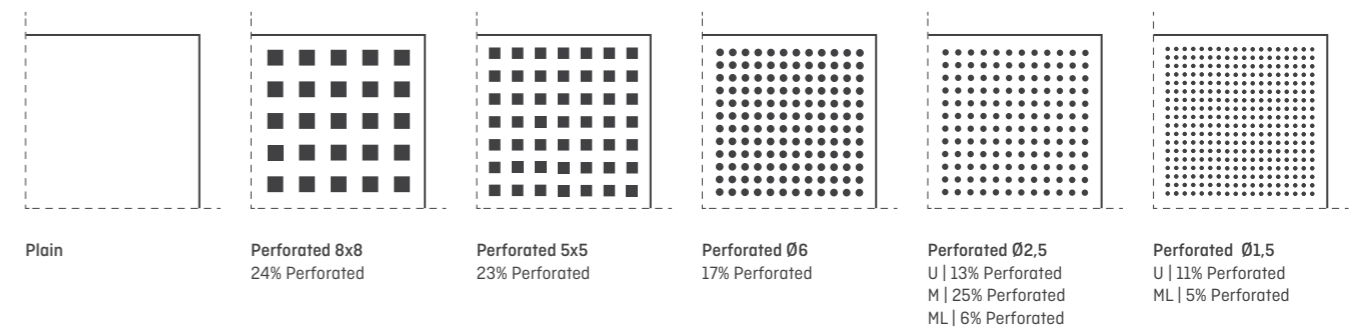
White 9010

Silver 9006

Other colours on request



PRESENTATION



Plain

Perforated 8x8
24% Perforated

Perforated 5x5
23% Perforated

Perforated Ø6
17% Perforated

Perforated Ø2,5
U | 13% Perforated
M | 25% Perforated
ML | 6% Perforated

Perforated Ø1,5
U | 11% Perforated
ML | 5% Perforated



Panels formed by folding and/or profiled, manufactured using pre-lacquered galvanized steel sheets of 0.50 mm thickness. All panels supplied with adhesive protective film.

Pre-lacquered panels in Polyester with a minimum coat thickness of 25 microns, in White (RAL 9010) or Silver (RAL 9006). This type of finish is characterized by its high durability and resistance to corrosion (retaining its colour and bright appearance).

Murano Panel



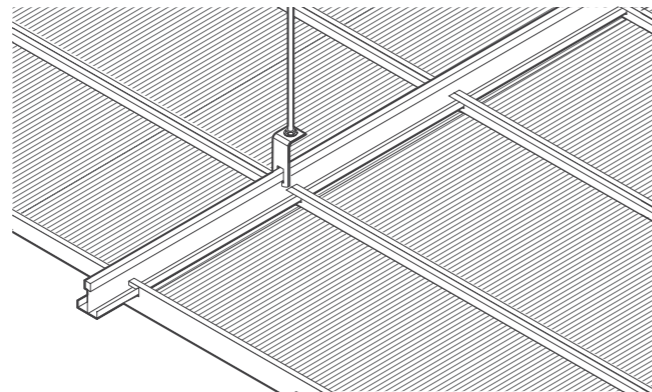
Data sheet



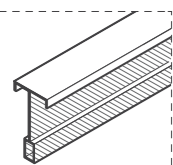
Assembly manual

ASSEMBLY

The Murano panels are installed by inserting the ends into the wings of the Murano profiles, which are suspended from the ceiling via the hanger brackets and are separated between each other by a distance equal to the length of the Panels.

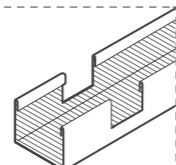


ACCESSORIES



Murano Profile

Main element for supporting the Murano panels. These are 3.70m long and manufactured from galvanized steel. The profiles can be linked together lengthwise via attachment with a clip and the use of conventional hanger brackets (either straight or right angles) to support them from the upper framework.



Spacer profile

Concealed profile designed to stabilize the primary profiles of the adjustable frame.



Hanger bracket

Part for joining the profiles and the screw-in rod for the support of the system. Attached onto the Murano profiles.

MATERIAL BREAKDOWN

MODEL	Units per m ²
Panel 600x600 mm	2,80 units
Panel 300x L.V	3,35 units
Hidden profile Murano 600x600 mm	1,68 ml
Hidden profile Murano 300xL.V	1/L.V ml

Approximate weight: 4,5 - 5,5 kg /m² depending on the type of perforation
4 Hanger brackets in a 3,7 metres primary profile

TECHNICAL CHARACTERISTICS

Complement	Perforation	αw until	Sort of acoustic absorption	Reaction to fire	Durability	% Recycled material up to
None	Plain	-	-	a2-s1, d0	Sort B	25%
Acoustic fleece	∅ 1,5 U	0,65	C	a2-s1, d0	Sort B	25%
	∅ 2,5 U	0,70	C	a2-s1, d0	Sort B	25%
Mineral wool	∅ 1,5 U	0,85	B	a2-s1, d0	Sort B	25%
	∅ 2,5 U	0,85	B	a2-s1, d0	Sort B	25%
	□ 5x5	-	-	a2-s1, d0	Sort B	25%